

CASTERS

Elegant solid brass casters for grand pianos.
Sockets included.

CRB-25 **BRASS GRAND CASTER**
Wheel width: 1"
Wheel diameter: 2"
Socket: 7/8" x 1 1/2" stem x 2" plate



CRB-26 **BRASS GRAND CASTER**
Wheel width: 1 1/2"
Wheel diameter: 1 7/8"
Socket: 13/16" x 2 1/4" stem x 2" plate

CRB-27 **BRASS GRAND CASTER**
Wheel width: 2 3/8"
Wheel diameter: 1 7/8"
Socket: 13/16" x 2 1/4" stem x 2" plate

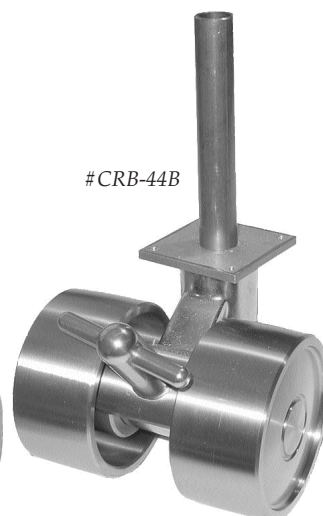
CRB-35 **BRASS GRAND CASTER for YAMAHA**
Wheel width: 1 1/2"
Wheel diameter: 1 3/4"
Socket: 13/16" x 1 1/2" stem x 1 1/4" plate



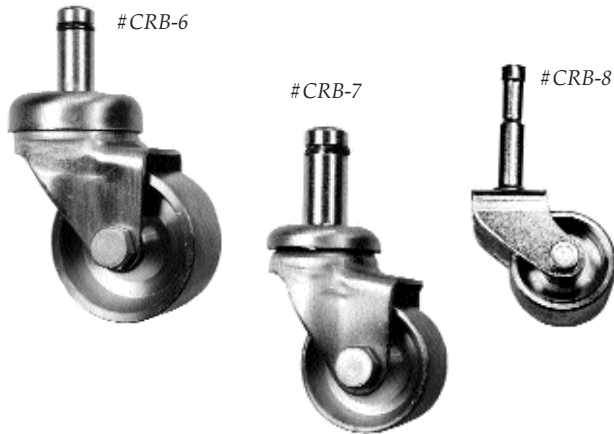
CRB-40 **BRASS GRAND CASTER**
Wheel width: 2 3/8"
Wheel diameter: 1 7/8"
Socket: 1 1/2" x 2 1/4" stem x 2 3/8" plate

CRB-44A **BRASS CONCERT GRAND CASTER**
CRB-44B **BRASS CONCERT GRAND CASTER with BRAKE**
Total width: 5 3/8"
Wheel diameter: 3 3/4"
Socket: 13/16" x 4 3/4" stem x 2" square plate

CRB-46A **BRASS CONCERT GRAND CASTER**
CRB-46B **BRASS CONCERT GRAND CASTER with BRAKE**
Total width: 3 3/8"
Wheel diameter: 3 1/2"
Socket: 1 1/8" x 2 1/4" stem x 2 3/8" plate



#CRB-44 & #CRB-46 require shorter legs.



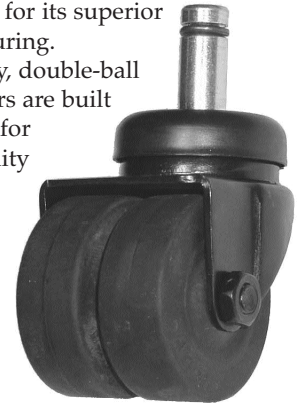
- #CRB-6 Darnell Steinway-Style Brass Caster**
 Wheel width: 1"
 Wheel diameter: 2"
 Socket: 15/16" x 1 3/8" stem x 2 1/4"
- #CRB-7 Darnell Small Brass Caster**
 Wheel width: 3/4"
 Wheel diameter: 1 1/2"
 Socket: 15/16" x 1 3/8" stem x 2 1/4"
- #CRB-8 Brass Spinet Caster**
 Wheel width: 11/16"
 Wheel diameter: 1 1/4"
 Socket: 1/2" x 1 1/2" stem x 5/8"

DARNELL CASTERS

Industrial quality, ball bearing casters for easy moving.

Darnell has long been known for its superior standards of caster manufacturing. Featuring an extra heavy-duty, double-ball bearing system, Darnell casters are built to sustain heavy use. Perfect for schools, churches, or any facility that moves pianos frequently. Suitable for grands or uprights.

Sold individually, so please specify total number of casters. A steel socket will be included with each caster — please specify round (15/16" x 1 3/8" stem x 2 1/4" plate) or square (15/16" x 1 3/8" stem x 1 3/4").



DARNELL DUAL-WHEEL STEM CASTERS

Wheels measure 2" in diameter, each wheel 3/4" wide. Semi-resilient, corded neoprene wheels sustain heavy wear, but will not damage tile or wood floors. Heavy-duty, double-ball bearing system. Load capacity 200 lbs. per caster. Steel housing available in 2 beautiful finishes — either will provide an attractive complement to grands or uprights.

- #CRD-K40B Black Oxidized Finish Caster**
#CRD-K40A Bright Brass-Plated Finish Caster

FAULTLESS CASTERS

Excellent quality casters built by the world's largest supplier of casters to the office & household furniture industries.

These dual-wheel casters are ideal for pianos. High load capacity is combined with excellent mobility. Full double-ball bearing construction ensures easy swiveling & long life. All casters sold individually, so please specify total number of casters. Round steel sockets (5/8" x 1 1/2" x 2 5/8") included.

DUAL-WHEEL STEM CASTER — Copper Finish

Black rubberex wheels, 2" diameter, each wheel measuring 7/8" wide. Load capacity 160 lbs. per caster. Full double-ball bearing construction. Steel housing has copper oxidized finish.

#CRF-W479N Copper Oxidized Finish Stem Caster

DUAL-WHEEL STEM CASTER — Black Finish

Black rockite wheels, 2" diameter, each wheel measuring 7/8" wide. Load capacity 200 lbs. per caster. Full, double-ball bearing construction. Steel housing has black finish.

#CRF-W729B Black Finish Stem Caster



CASTER BUSHINGS

Hardwood bushings to fill existing hole when replacing casters. 1 1/2" high x 7/8" OD x 9/16" ID.

#CRF-20B Caster Bushings



DUAL-WHEEL PLATE CASTER

Black rubberex wheels, 2" diameter, each wheel measuring 7/8" wide. Load capacity 160 lbs. per caster. Full, double-ball bearing construction. Top plate measures 2 5/8" x 3 3/8". Bolt holes are spaced 1 3/4" apart x 3" apart. (Shown above right.)

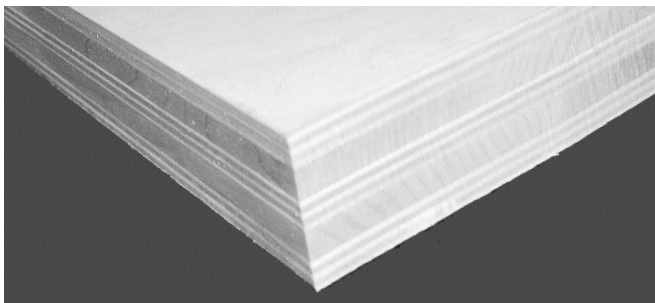
#CRF-P479 Plate Style Caster

PARTS

BOLDUC HYBRID PINBLOCKS

Merges the high quality of the Bolduc 5-Ply Quarter-Sawn Pinblock with the economy of the multi-laminate flat-sawn pinblock. The Hybrid Pinblock combines 3 layers of multi-laminate maple with 2 inner layers of quarter-sawn maple.

Letter F drill recommended for 2/0 pin.



DOUBLE PANEL: 59" x 17"

SINGLE PANEL: Diagonal cut, 59" long x 5½" x 11½"

BHY-1 1¾" Bolduc Hybrid Pinblock

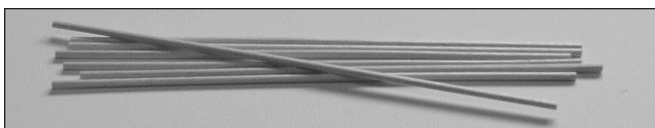
BHY-2 1½" Bolduc Hybrid Pinblock

See more Pinblocks on page A-26.

We now offer . . .

BACK ACTION DUPLICATION • KEY BALANCING
ACTION REBUILDING • TOUCHWEIGHT ANALYSIS

BRIDGE REPAIR DOWELS



Small hardwood dowels for plugging bridge pin holes. .085" x 5½". Box of 1000.

BRD-1 Bridge Repair Dowels

UPRIGHT FRONT FRAME CATCHES

Easy to install replacement catches for upright front frame / music desks. Particularly useful for Yamaha, Young Chang, and Kawai uprights. Pair.

RH-7900 Front Frame Catches



AGRAFFE REPAIR INSERTS

For replacing individual broken agraffes – or complete sets of non standard threaded agraffes – with new 1/4" agraffes.



PROCEDURE

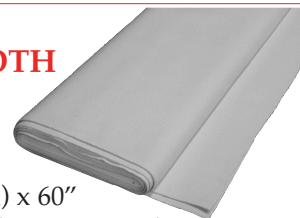
1. Remove old agraffe.
2. Drill out hole in plate with supplied Q-bit.
3. Tap hole by hand or power with supplied tap.
4. Thread in stainless steel inserts and 1/4" agraffe.

AGR-14R Agraffe Repair Inserts

AGR-14RQT Tap & Drill Kit

WHITE BUSHING CLOTH

Same high quality English bushing cloth, but not dyed red. Medium thickness, approximately .053" (1.30mm) x 60" length. Same material as used on New York and Hamburg Steinways, and others.



BU-3W White English Bushing Cloth

HEAVY DUTY CONCERT GRAND DARNELL CASTER



For concert grand pianos.

Wheel width: 1¼"

Wheel diameter: 1⅞"

Load capacity: 230 lbs.

CRD-K40BHD

Heavy Duty Darnell Caster

Please specify square or round socket.

SMALL BRASS CASTER for YAMAHA

Wheel width: 1⅜"

Wheel diameter: 1½"

Socket: 1⅝" x 1" stem x 2" plate

CRB-36 Small Asian Brass Caster



See more Casters on pages A-42 & A-43.